
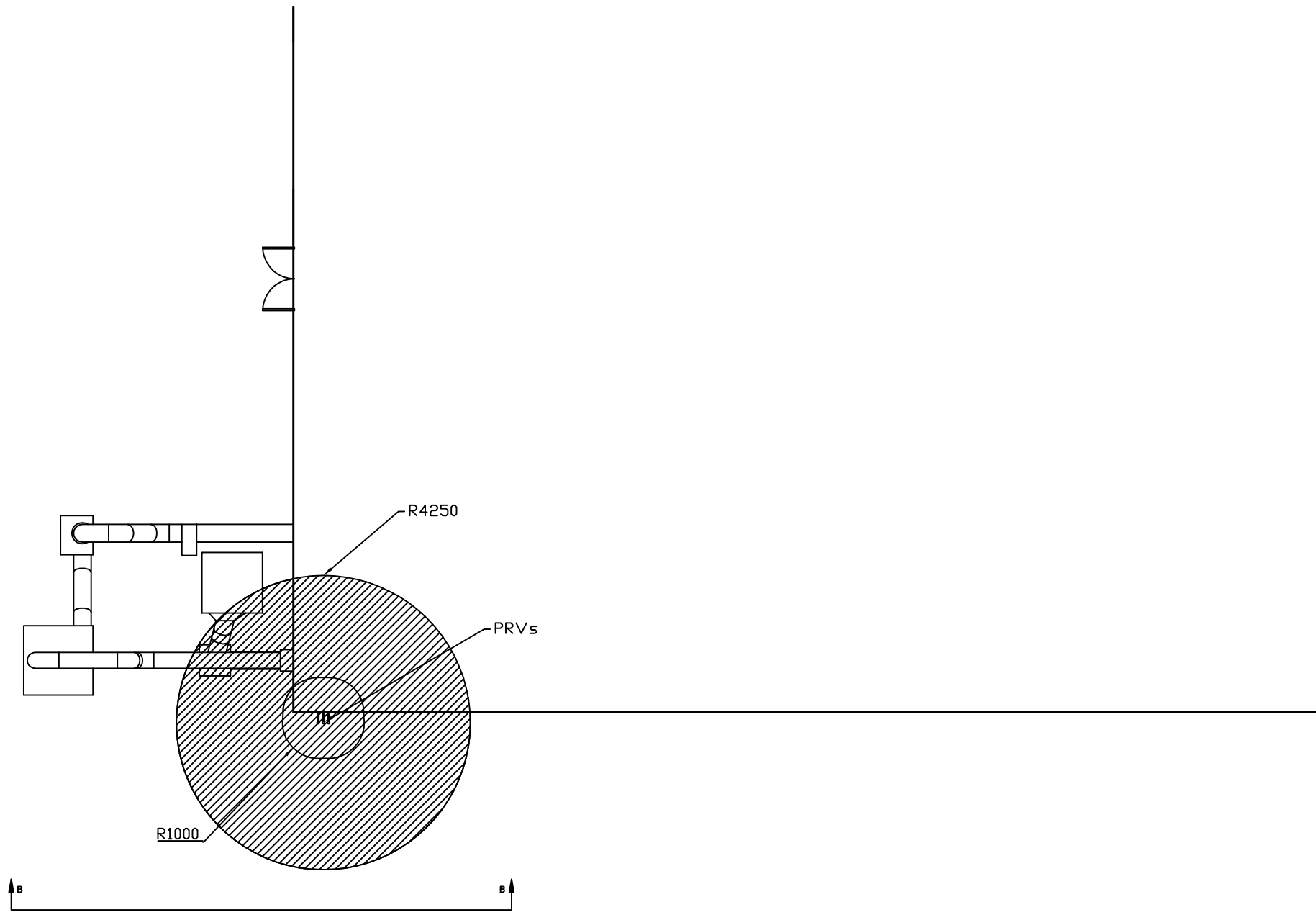


1 2 3 4 5 6 7 8 9 10 11 12 13 14 15 16

A
B
C
D
E
F
G
H
I
J

A
B
C
D
E
F
G
H
I
J

 CLASS 1, ZONE 2, GROUP IIB



SEE DWG W3732-1-E20-003

Notes:

1. ALL DIMENSIONS IN MILLIMETERS (mm).
2. WALLS TO BE VAPOR TIGHT TO PREVENT PROPYLENE GAS FROM PENETRATING.
3. PRVs TO POINT UP.
4. PRVs TO HAVE RAIN CAP.

GAS CLASSIFICATION SITE PLAN (OUTSIDE VIEW)
1:75

USER :
DATE :
FILE INFO :
TIME :
PLOT SCALE :

PERMIT STAMP:		ENGINEERING STAMP:		CLIENT: SAMPLE CLIENT		SCALE:	1:75	DATE:	LOCATION: --- SITE: ---				
						DRAWN BY:	DG	08/10/18	PROJECT NAME: SAMPLE AREA CLASSIFICATION				
						DESIGNED BY:	DG	08/10/18	DRAWING TITLE: SAMPLE CLIENT PROPYLENE TANKS SITE PLAN AREA CLASSIFICATION (OUTSIDE VIEW)				
				CONSULTANT: CLASS 1 ZONE 2 ENGINEERING INC. AREA CLASSIFICATION EXPERTS		APPROVED BY:	DG	08/10/18	PROJECT No. SAMPLE	DRAWING No. AREA CLASSIFICATION 1	SHEET NO. 1	OF SHEET 3	REV. 0
REFERENCE DRAWING		REVISION											

1 2 3 4 5 6 7 8 9 10 11 12 13 14 15 16